


Oznaka dokumenta.: Document ID:	TA-SB-D-01-2017	Revizija: Revision:	00B	
Opis: Description:	SERVISNI BILTEN SERVICE BULLETIN			
Zapisal/Created by:	Žižek I.	29.06.2017		
Odobril/Approved by:	Podpečan D.	29.06.2017		

INFORMATION <input type="checkbox"/>	RECOMMENDED <input checked="" type="checkbox"/>	MANDATORY <input type="checkbox"/>
Date of issue: 07.07.2017	Date of effect: 07.07.2017	Date of recommended corrective action: Before next flight

SERVICE BULLETIN TA-SB-D-01-2017

(For confirmation of installation please contact your national aviation authority)

1. SUBJECT

Preventative inspection of the exhaust system on the gyrocopter G 4-2 type Ti and TiS.

2. AFFECTED GYROCOPTER

Gyrocopters G 4-2 type: Ti and TiS with the S/N:

015-13, 019-12, 027-13, 032-13, 033-13, 036-14, 037-14, 038-14, 043-15, 047-15, 050-16.

3. REASON

To prevent malfunction of the exhaust system.


4. REQUIRED ACTION

- a) Before first flight it is needed to inspect exhaust system, to see if there are any cracks and/or if the clamp is broken. (See highlighted red circles in Fig 1).
- b) Width of the clamp ($\varnothing 121\text{mm}$) must be 28 mm, if it's 15mm wide it should be changed for clamp with the width of 28mm. The clamp must be fastened by the torque 15Nm. (Fig. 2).
- c) Any cracks on the exhaust, it is needed to be dismantled and sent it to the Trixy Aviation d.o.o.

5. COMPLIANCE

Before the first flight and then before each flight after, 4a should be carried out.

Contact the manufacturer to arrange necessary work, if there is any cracks or the clamp is the wrong Dimension.

Oznaka dokumenta.: Document ID:	TA-SB-D-01-2017	Revizija: Revision:	00B	
Opis: Description:	SERVISNI BILTEN SERVICE BULLETIN			
Zapisal/Created by:	Žižek I.	29.06.2017		
Odobril/Approved by:	Podpečan D.	29.06.2017		

6. WEIGHT AND BALANCE

N/A

7. ACTION CARRIED OUT BY

Owner (operator) or service organization.

8. COSTS COVERED

Cost of the clamp and fixing the exhaust is covered by the Trixy Aviation d.o.o.


9. NECESSARY MATERIAL

Material that is needed will be supplied by Trixy Aviation d.o.o.

- 1 x clamp D121 (Id: 111965)
- 1x safety wire (0.32)

10. DOCUMENTATION

Record the compliance with this Service Bulletin in the gyrocopter documentation.

Oznaka dokumenta.: Document ID:	TA-SB-D-01-2017	Revizija: Revision:	00B	
Opis: Description:	SERVISNI BILTEN SERVICE BULLETIN			
Zapisal/Created by:	Žižek I.	29.06.2017		
Odobril/Approved by:	Podpečan D.	29.06.2017		

11. ENCLOSURES

None

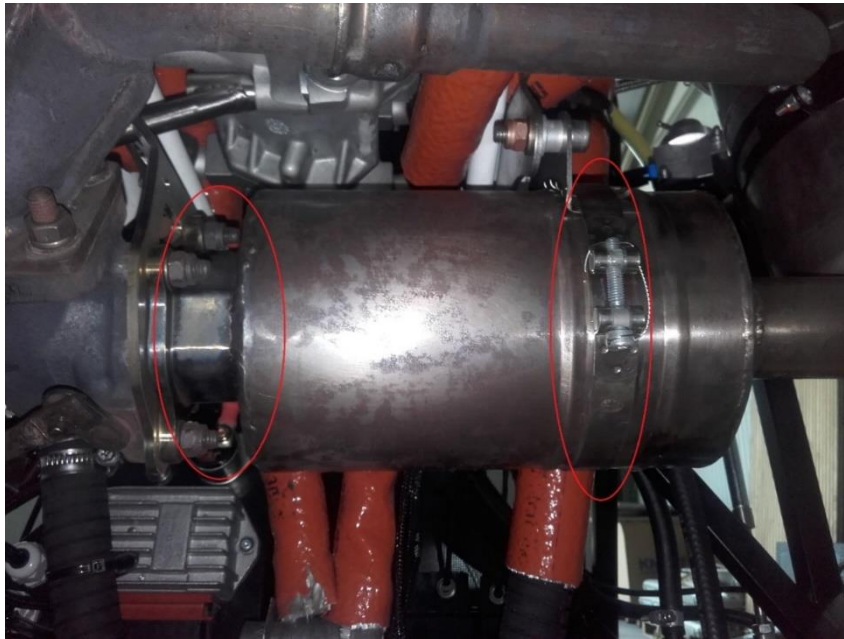


Fig.1

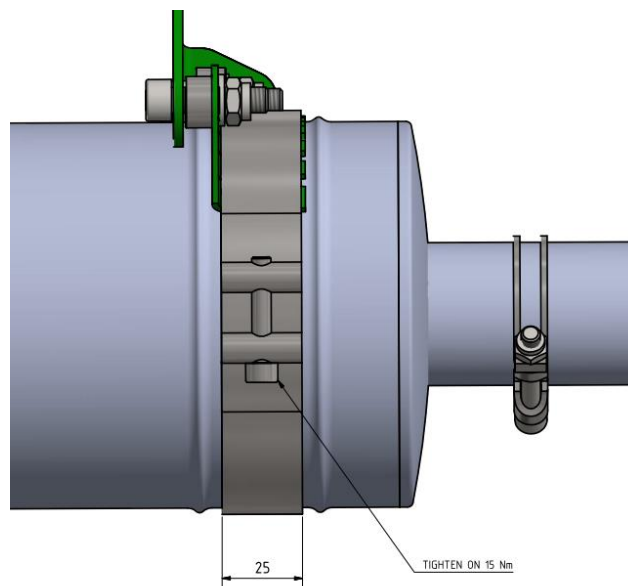


Fig.2